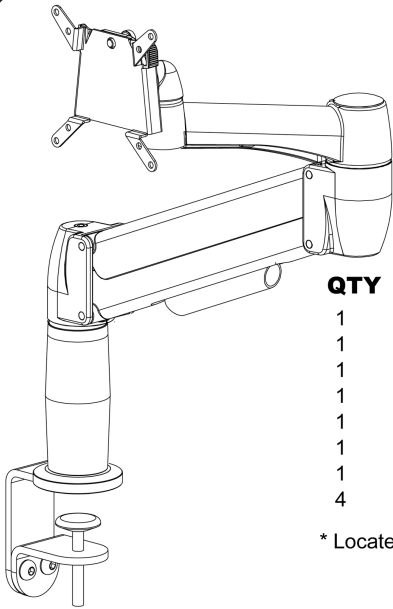


Space-Arm Clamp

BNESP

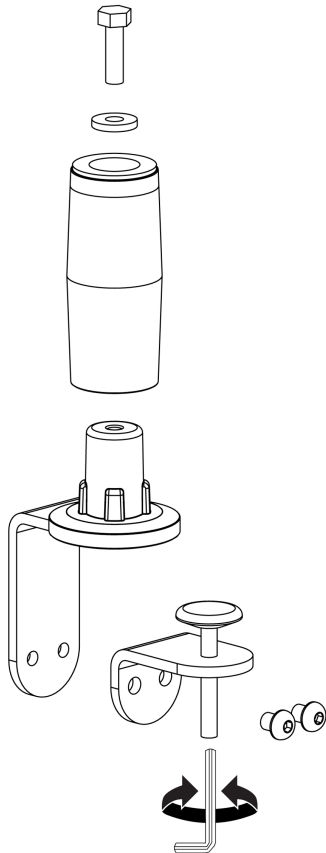


Contents:

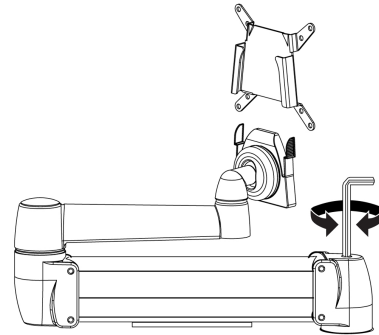
QTY	Name
1	Nut
1	Washer
1	C-Clamp
1	Single Hub
1	Washer
1	*Mounting Bolt
1	Standard Arm
4	Monitor screws

* Located in bottom of box

Required Tools: 6mm Allen wrench 17mm Deep socket

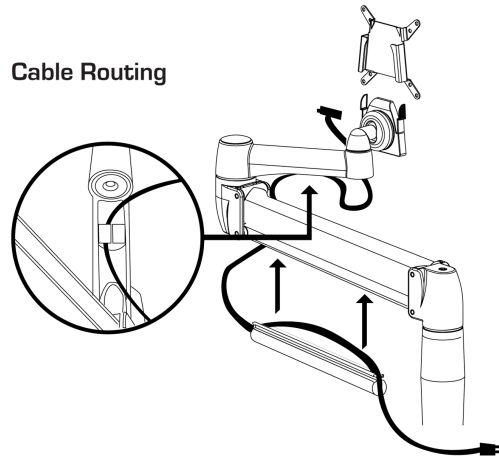


Adjusting Counter Balance
*Required Tool: 5mm Allen Wrench



Position Arm so it is parallel to desk surface.
Turn bolt wise for lighter monitors.

Cable Routing



Sign up for our newsletter and get the latest trends and innovation news

www.bakkerelkhuizen.com